

*Intelligent Video
Telematics Solution*

Extraordinary, Versatile, Outstanding



K165 | K265

MiTAC K165/265 is one of the most advanced all-in-one connected digital camera solution. K165/265 can help fleet managers evolve from tracking only technology to the new video telematics era. Built in with powerful Qualcomm® QCS610 processor enhances the AI computing power. The Andorid Platform simplified both system and cloud integration. High speed 4G LTE allows remote live view to ensure operators have full awareness over the whole fleets. The dual SD card design avoids any slow card status occurred. The K165/265 is the ultimate connected digital recorder for those who need the ultimate demand.



Always connected

- Built-in 4G LTE Cat.4 & dual-band WIFI
- Over-the-Air firmware & setting updates
- Bluetooth® 5.0 BLE, NFC / HF RFID



Track your fleets in real-time

- Comprehensive satellite tracking
- Automotive dead reckoning (ADR) for precise positioning even in adverse conditions (optional)
- 3-axis G-sensor and Gyro support



Reliable and flexible platform

- Qualcomm® Octa-core & Android™ 10
- Open APIs & SDK for seamless integration with fleet management solutions



Get the full picture of your vehicles

- ECU integration to acquire vehicle and engine telematics data *
- All video footage are safely stored both on the SD card and Cloud
- Embed powerful AI



Dual SD card slots

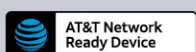
- Options for dual SD card recording under multi-channel operation scenario



Expandable channels

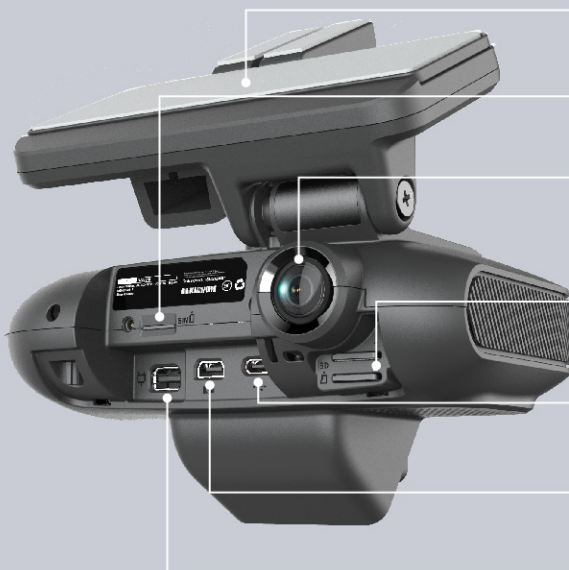
- Expand up to 5 extra cameras

* Only when equipped with Smart Cable



K165 | K265

DETAILED VIEW



WINDSHIELD MOUNTING

Easy to install in minutes

NANO SIM OR eSIM AS OPTION

LTE Cat. 4

ROAD FACING CAMERA

- Full HD 1920 x 1080 pixels
- Wide 142° FOV

DUAL SD CARD SLOT

Storage up to 512GB/ slot

USB TYPE C

For data transfer, debug, and USB camera connection

MINI USB

4 TVI cameras connection

ALL-IN-ONE CONNECTOR

- Connect to vehicle battery
- Optional ECU integration



EMERGENCY RECORDING BUTTON

Manually press button to protect the clip from being overwritten

NFC

For driver ID verification & instant pairing with other devices

LED STATUS INDICATORS X 2



INWARD CAMERA

- Full HD 1920 x 1080 pixels
- Wide 142° FOV
- IR LED *4 for low light visibility
- 45° tiltable camera angle



TAMPER PROOF COVER

OPERATIONAL SCENARIO



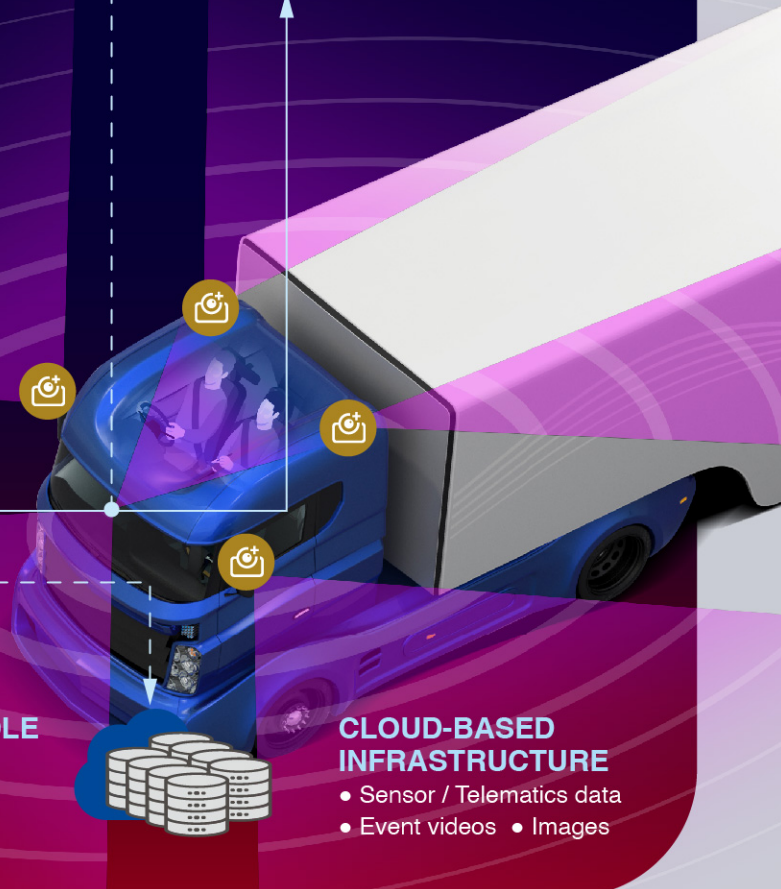
DEDICATED VEHICLES

- Video recordings with SD card
- ADAS & DMS (AI)
- Dual-cam synchronized recording



EXPANDABLE CHANNELS

- Expand up to 5 extra cameras



FLEET MANAGEMENT CONSOLE

- Dashboard
- Track history
- Geo-Fencing
- Live view
- Event notification



CLOUD-BASED INFRASTRUCTURE

- Sensor / Telematics data
- Event videos
- Images



ACCESSORIES

ENTRY CABLE



Sold separately
PN: 422N70200005

OBD POWER CABLE



Standard accessory
PN: 422N70200008

PANIC BUTTON



Sold separately

SMART CABLE



Sold separately
PN: 340N69300003

EXTERNAL CAMERA



Optional camera connected via USB type C connector

- A50 rear camera
- i15/i25 DMS/ in-cabin camera

Sold separately

WATERPROOF CAMERA



Optional side camera connected via TVI signal

Sold separately
PN: 531610000130

K165 | K265

SPECIFICATION

K165



K265



Platform	Qualcomm® QCS610 Octa Core CPU, 2+6 Kryo, 2.2GHz/ 1.8GHz		
OS	Android™ 10 (non GMS)		
Memory	3GB RAM/ 32GB Internal Storage		
Storage	Dual Micro SD Slots (Support up to 512 GB/ slot)		
Wireless Interface	IEEE 802.11 a/ b/ g/ n/ ac (2.4 GHz & 5 GHz)		
	Bluetooth® 5.0 BLE		
	Non ADR: Qualcomm® Internal GPS/ ADR: U-Blox NEO-M8L		
	LTE Cat. 4		
NFC	EMEA, Russia, South Africa	North America (transit in Mexico)	ANZ, Latin America, Taiwan
	FDD Band 1/3/7/8/20/28A TDD Band 38/40/41	FDD Band 2/4/5/12/13/14/66/71	FDD Band 1/2/3/4/5/7/8/28 TDD Band 40
	WCDMA Band 1/8		WCDMA Band 1/2/4/5/8
	GSM Band 3/8		GSM Band 2/3/5/8 WCDMA Band 2/4/5
NFC	NFC: MiFare®, FeliCa I RFID (HF): ISO14443A&B, ISO15693		
Sensors	3-axis Accelerometer, 3-axis Gyro, Thermal Sensor		
Camera	Forward: FOV: D 142.8°/ H 120.4°/ V 63.8° (±5%) Full HD 1920 x 1080 @ 30 fps (Configurable)		Forward: FOV: D 142.8°/ H 120.4°/ V 63.8° (±5%) Full HD 1920 x 1080 @ 30 fps (Configurable)
	Inward (IR): FOV: D 142.8°/ H 120.4°/ V 63.8° (±5%) Full HD 1920 x 1080 @ 30 fps (Configurable)		Inward (IR): FOV: D 142.8°/ H 120.4°/ V 63.8° (±5%) Full HD 1920 x 1080 @ 30 fps (Configurable)
Expandible Cameras	TVI x 4, USB x 1		
Physical Interface	Dual Micro SD Slots (Support up to 512 GB/slot)		
	Nano SIM Slot (SIM 1) and eSIM** (SIM 2)		
	Mini USB x 1 (for Ext. Cameras), USB Type C x 1 (for De-bug)		
	Build-in Microphone x 2 Build-in Speaker x 1		
All-in-One Connector	7-36V Power Input, IGN Power on Signal Input (H Active, 9-32V)		
	GPIO x 4: 1 OUT/ 3 IN (polling mode)		
	OBD II/ J1939: Smart Cable Accessory Support Multi CAN Channels		
	Vehicle Signal: Speed Pulse, Reverse Signal Input RS232: TX/ RX/ CTS/ RTS		
Buttons	Emergency Recording Button		
LED Indicators	Recording, WiFi and LTE		
Battery	10F SuperCAP (Approx. 18s Backup Power Supply for Video Clip Storing)		
Power Consumption	Full Run Mode: 5.1W (12V/ 425 mA)		Full Run Mode: 5.75W (12V/ 480 mA)
	Parking Mode: 60 mW (12 V/ 5 mA)		
Boot Up Time	Cold Boot : 25s; Resume Recording From Parking Mode: 2s		
Parking Mode	With Impact Detection		
Environmental Index	IP30		
	-20 to +60C (-40 to +140F) Operating Temperature		
	-20 to +70C (-40 to +158F) Operating Temperature (Under Certain Conditions)		
	-30° to +85°C (-22° to +185°F) Storage Temperature		
Certification	CE, CB, FCC/IC, UKCA, RCM, BQB, PTCRB, AT&T, Verizon, WEEE, ROHS		
Warranty	12 Months (Extended Warranty Available)		
Weight	300g (10.58oz)	340g (12oz)	
Dimension	124 x 88.6 x 72mm (4.88 x 3.48 x 2.8")		124 x 88.6 x 101mm (4.88 x 3.48 x 3.97")

Box contents

- Fleet connected camera
- Quick start guide
- Windshield mounting kit
- Main cable (Type I for Power & Data / Type II for Power)
- Hex Tool Kit
- Tamper Proof Cover